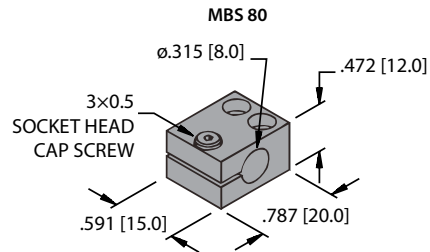
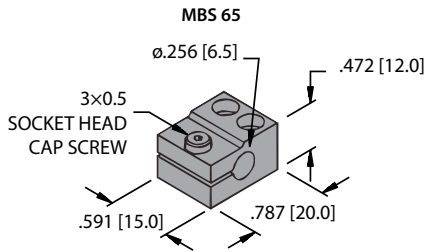
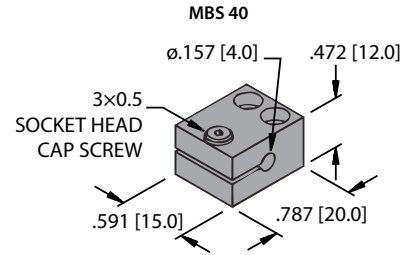
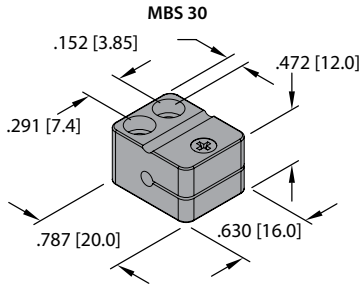


Accessories

Mounting Clamps



Part Number	ID Number	Barrel Diameter
MBS30	6948000	3.0 mm
MBS40	69477	4.0 mm
MBS65	69478	6.5 mm
MBS80	69479	8.0 mm

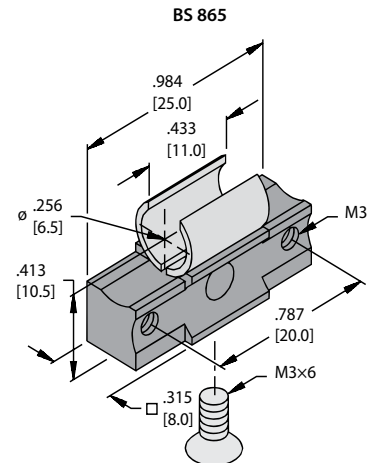
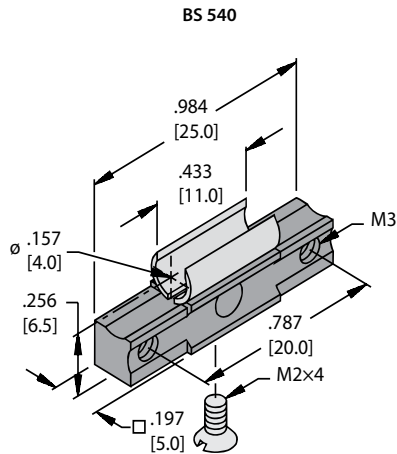
Inches [mm]

Material: Aluminum

Finish: Black anodized

*For use with smooth barrel Picopro[®] sensors

We reserve the right to make technical alterations without prior notice.



Part Number	ID Number	Barrel Diameter
BS540	69475	4.0 mm
BS865	69476	6.5 mm

Inches [mm]

Block Material: Aluminum

Sleeve Material: Steel

*For use with smooth barrel Picopro[®] sensors

